

The logo features the text "E4JSII" in a stylized, italicized, outlined font. The letters are white with a black outline and a grey drop shadow. The text is centered and flanked by a pair of large, grey, feathered wings that spread outwards and upwards.

E4JSII

Instruction & Setup Manual



Thank you for choosing the Team Magic E4JSII. Before you start building the E4JSII, we suggest you read through the instruction manual first. Be sure to check all assembly and performance tips before you start. We hope you enjoy the fine building processes.

General Building Tips:

- ▶ Read the instruction manual before building.
- ▶ Clear a work area and try to work on a light color towel to avoid missing dropped parts.
- ▶ Don't forge the thread lock. Be certain to use thread-lock on all the machine screws that thread into metal. Put it on the screws that are secured with locknuts and the setscrews that secure the linkage stops, too. Don't skimp on the thread-lock or you'll be searching in the dirt for screws that vibrated loose.
- ▶ Don't over-tighten fasteners. Many assembly problems are caused by over-tightening screws or nuts. Don't use too large a grip. Please go slowly and feel the resistance build. Just snug it up.
- ▶ As you put more time and runs on the car, the suspension arms, and basically anything else that moves, can stretch and wear. Though we have a very rigorous quality control program and make every effort to ensure that the parts have the best possible fit when you get them. Unfortunately there is very little, or nothing we can do to prevent these parts from wearing out. When the arms begin to wear you will notice that some slop develops between the carrier or hub and the arms. This slop can be taken out by shimming the arm, hub or carrier. If you take a look at any of the factory driver's cars you will definitely find that they use shims to take up some of the slop that occurs over a period of time. The shims can also be used on the inside of the suspension arms in the same manner. When shimming the parts, care must be taken not to add too many shims. The parts must still move freely without binding.
- ▶ When it doesn't fit, please double check. If an assembly is not going together correctly, then either there really is a bad fit (e.g. a part is damaged or defective) or a mistake in assembly. Always re-read the instructions when there are any problems. If you cannot figure out what's wrong, always ask dealer, distributor or Team Magic. Don't use force beyond what the instructions call for.
- ▶ Using the right tools makes assembly much easier. The instructions below finely indicate you what tools to get to make things easier. We don't want to scare you by saying that all these tools are required, but you will have an easier time if you have them. Borrow them from a friend to check if necessary.
- ▶ The assembly is arranged so that you will open the bag and finish that bag before you go on to the next bag. Sometimes, you will have parts remaining at the end of a bag. These will become part of the following bags.

A Good Dealer Is Extremely Important!!

A good hobby dealer can help you with most assembly problems you might encounter. This is the main reason why you should buy your kits from a good dealer rather than from the cheapest dealer. Bring your problematic parts to the dealer and, most likely, you'll walk away soon thereafter with the problem solved. If you think that you really don't have the mechanical skills to complete the assembly, you may pay your dealer to finish the job for you. We can recommend good dealers to you if you need. Please send us mails for more information. Email: service@teammagic.com.tw



126306
3X6mm



126304BU
3X4mm



116308
3X8mm



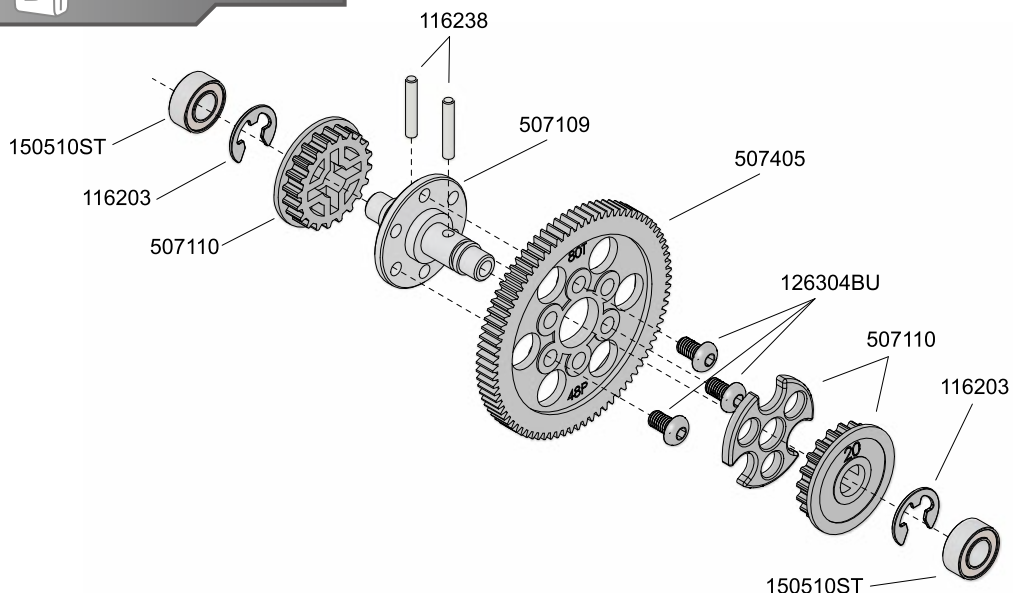
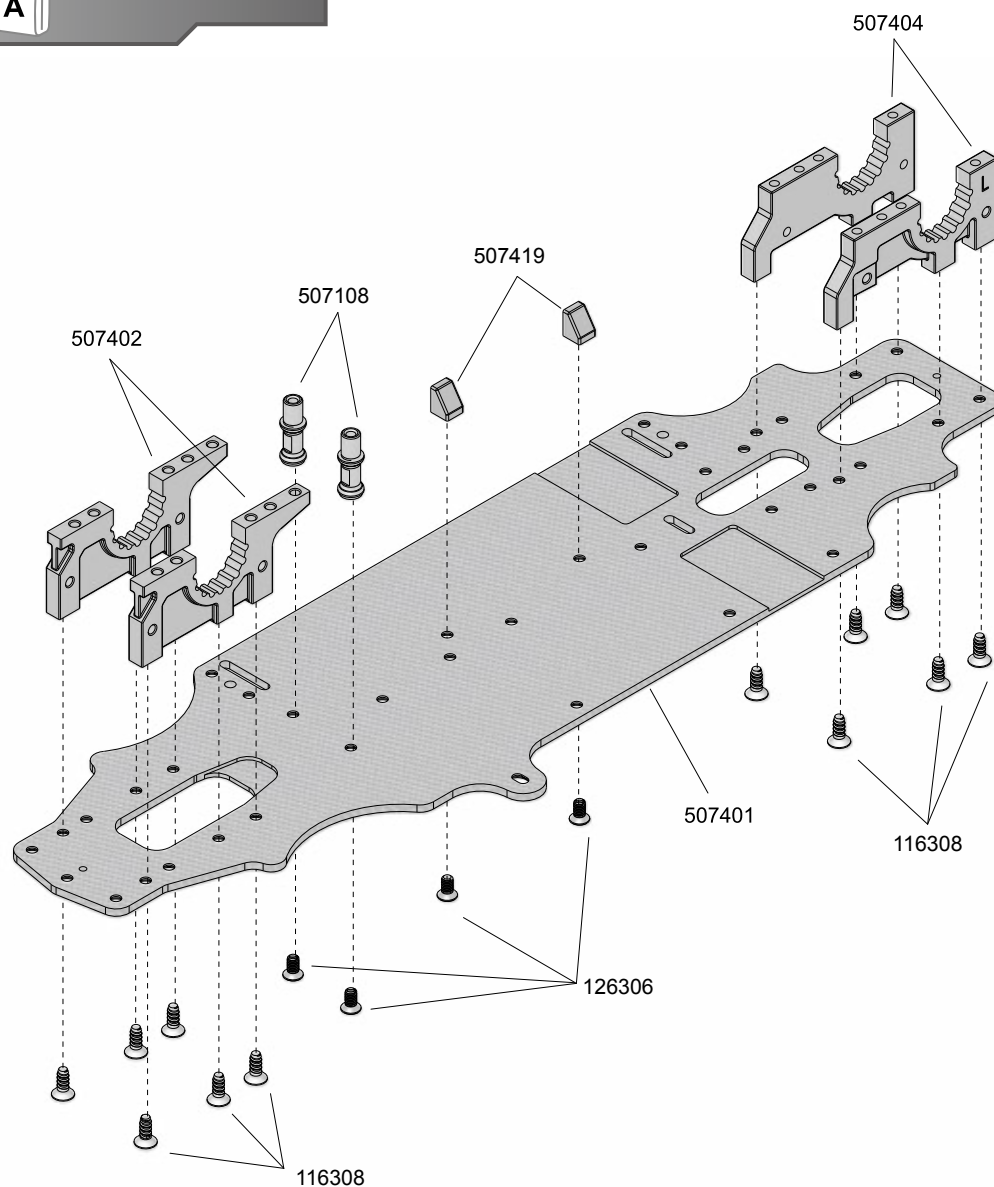
116238
2X12.8mm Pin



116203
E-clip 5



150510ST
5X10X4mm
Steel Bearing

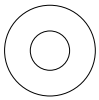




116308
3X8mm



152005
4.7X1.42mm
O-RING



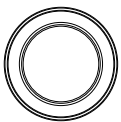
130129
5.2X12X0.2mm
Shim



130131
3.1X8X0.1mm
Shim



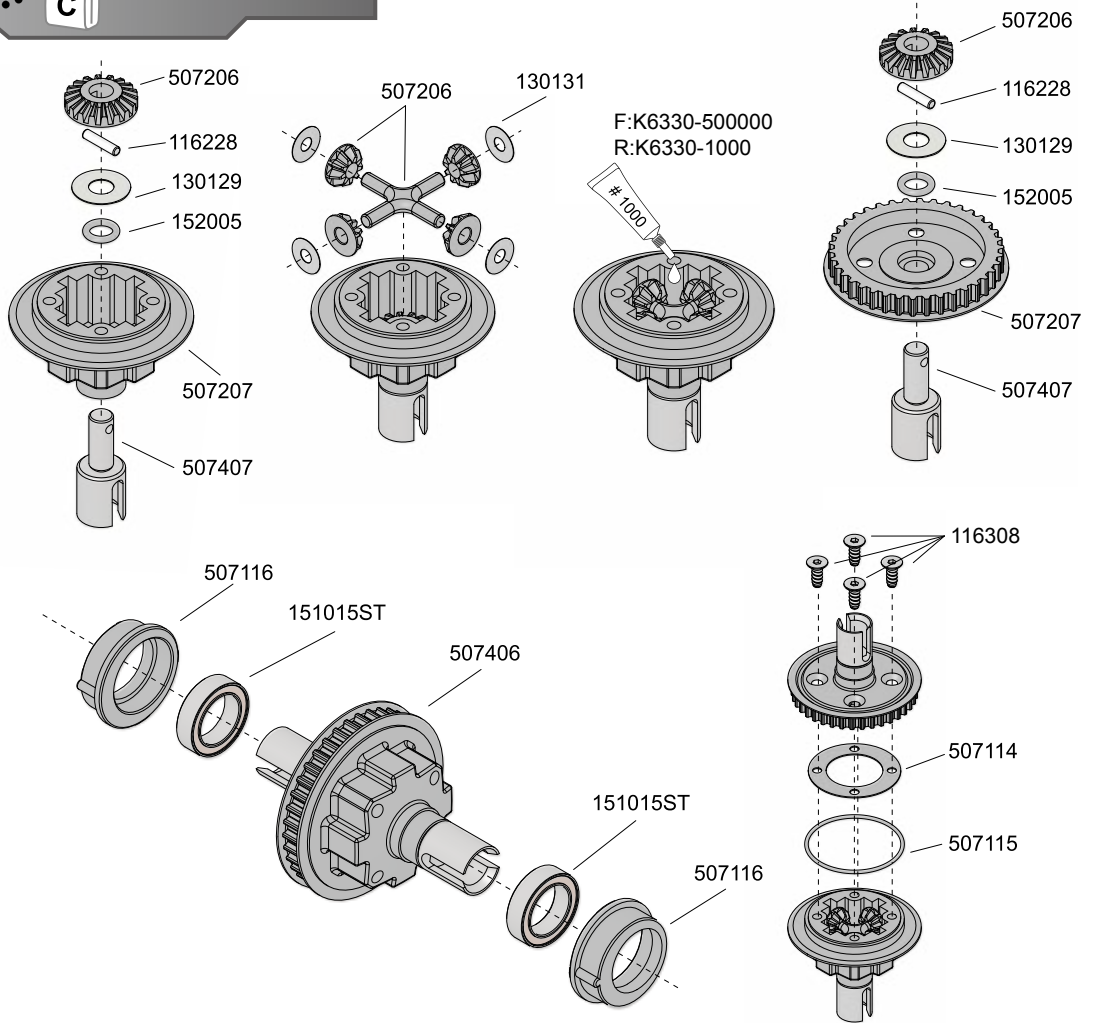
116228
2X9mm



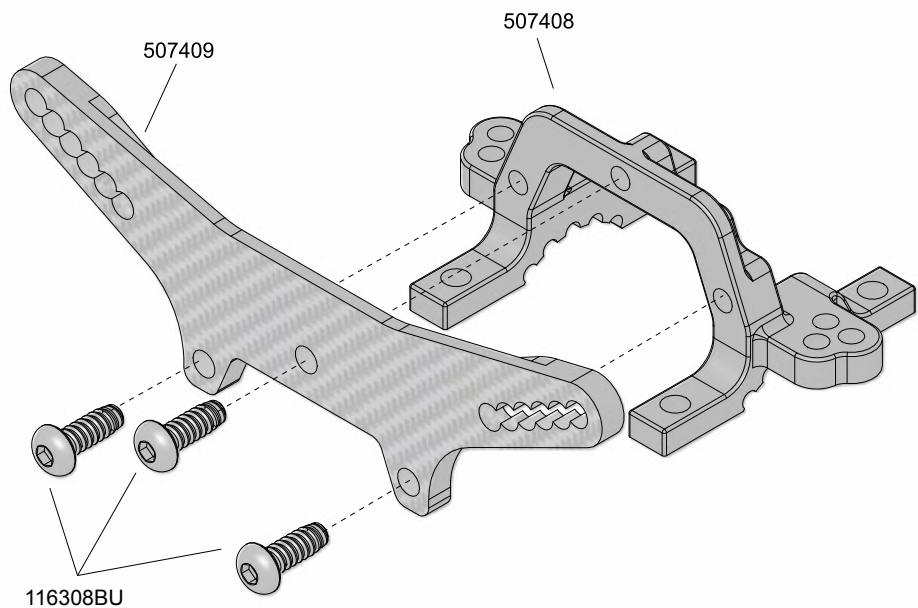
151015ST
10X15X4mm
Steel Bearing

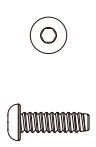


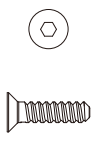
116308BU
3X8mm

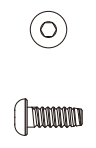


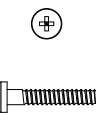
FRONT

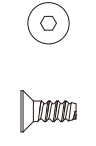


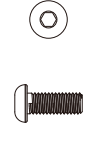
- 

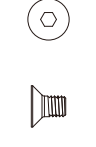
116310BU
3X10mm
- 

116312
3X12mm
- 

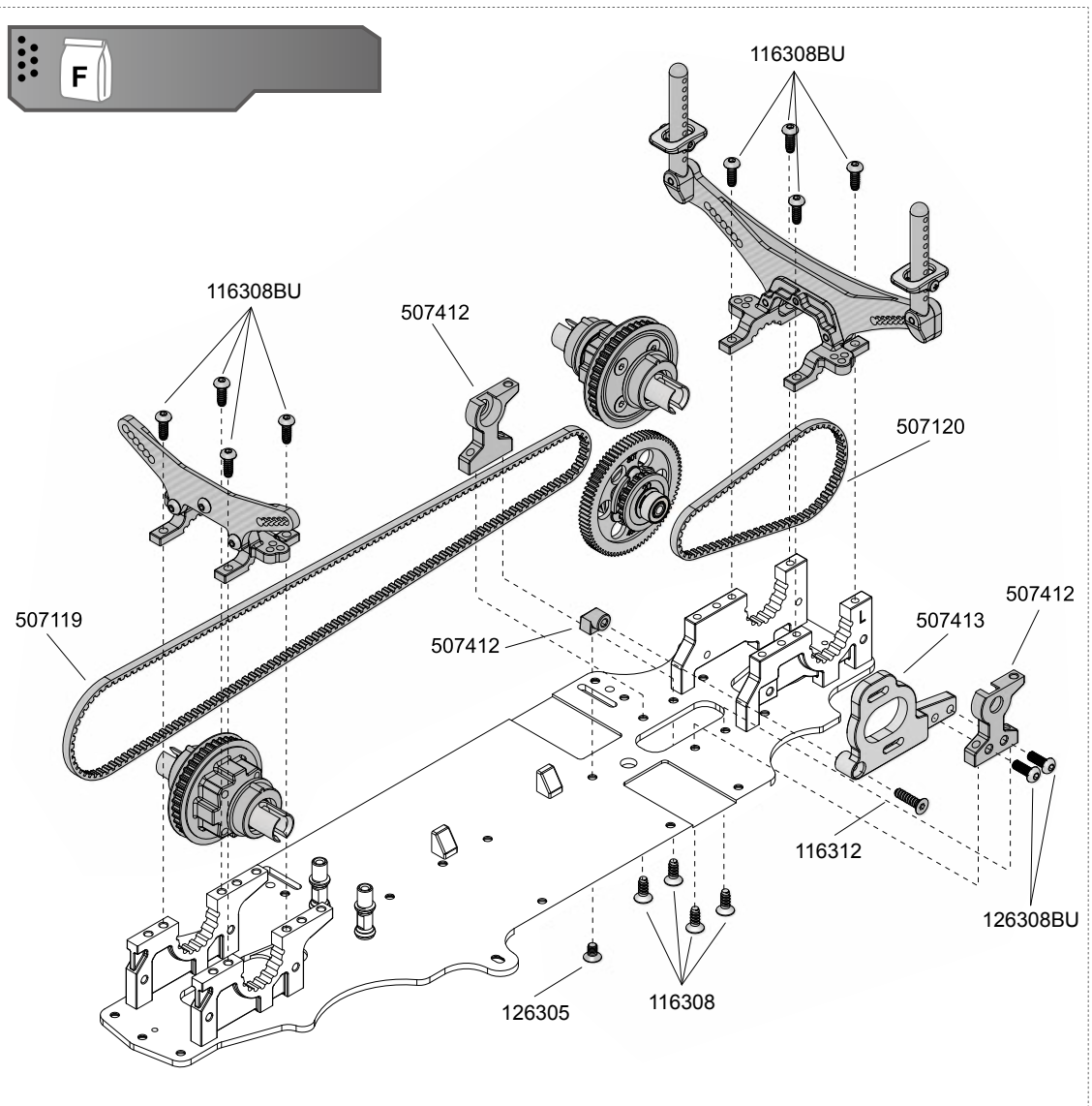
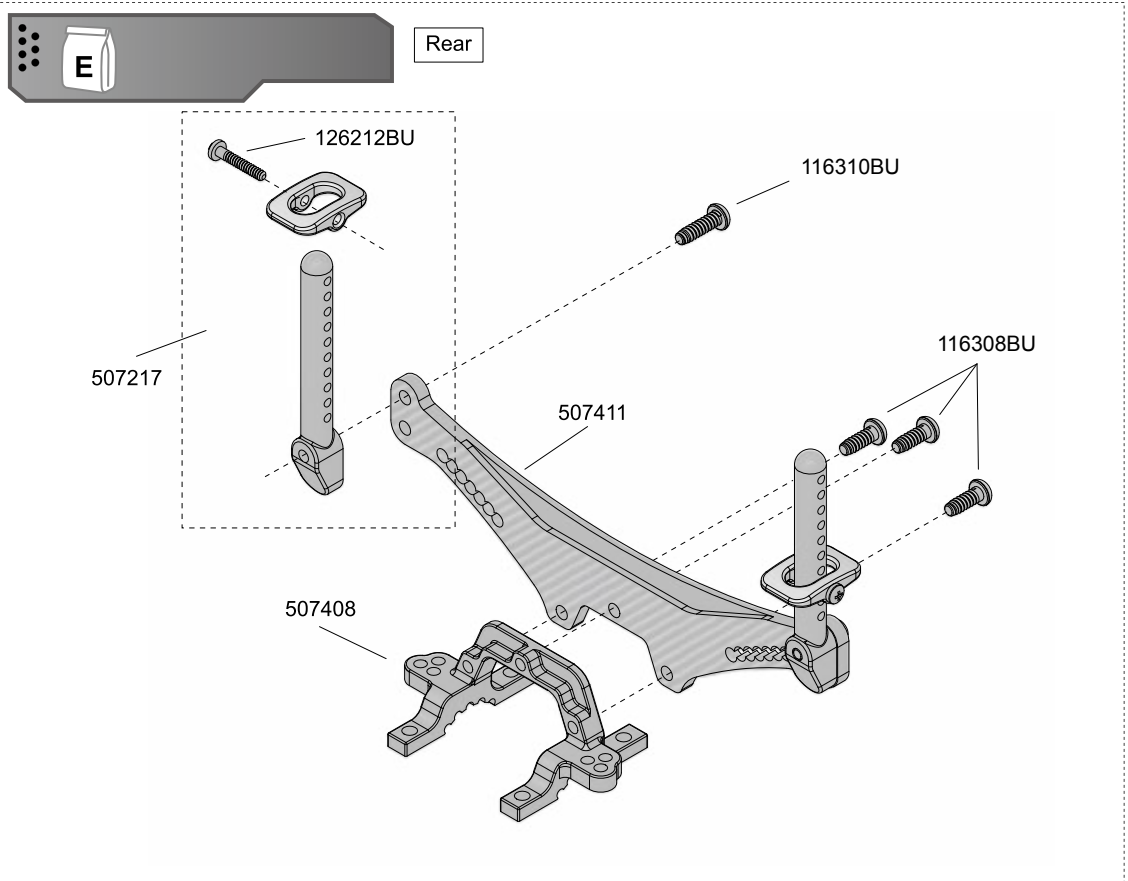
116308BU
3X8mm
- 

126212BU
2X12mm BH Screw
- 

116308
3X8mm
- 

126308BU
3X8mm
- 

126305
3X5mm





503127BK
5X10mm



503117BK
5X4mm



116308
3X8mm



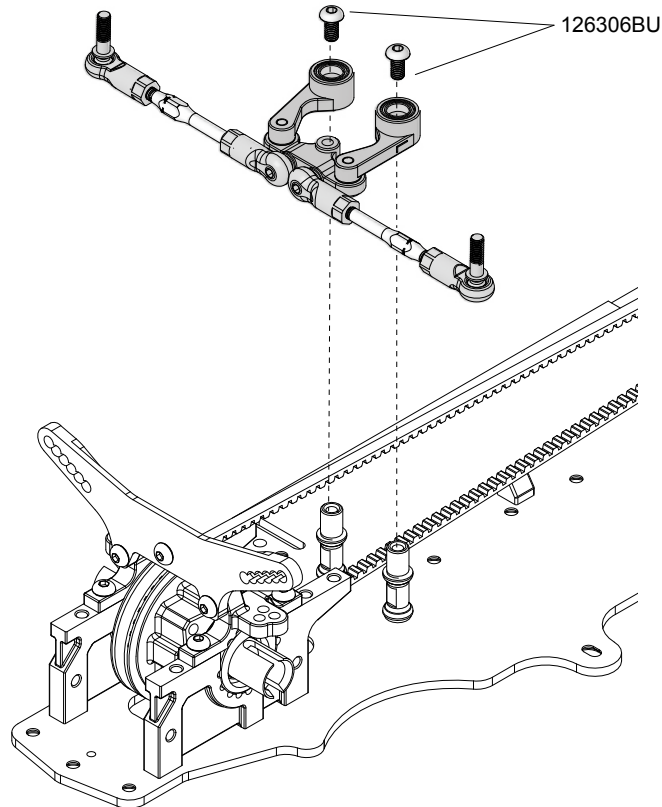
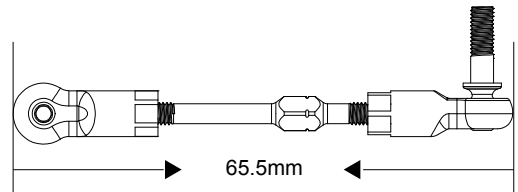
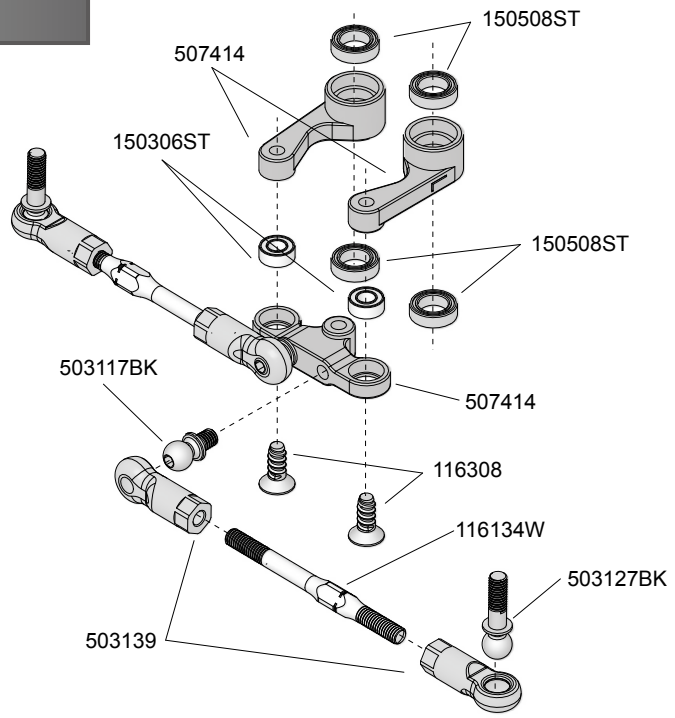
150508ST
5X8X2.5mm
Steel Bearing



150306ST
3X6X2.5mm
Steel Bearing



126306BU
3X6mm





115029
4X12mm



126408S
4X8mm Set Screw



130114S
3X6X1mm

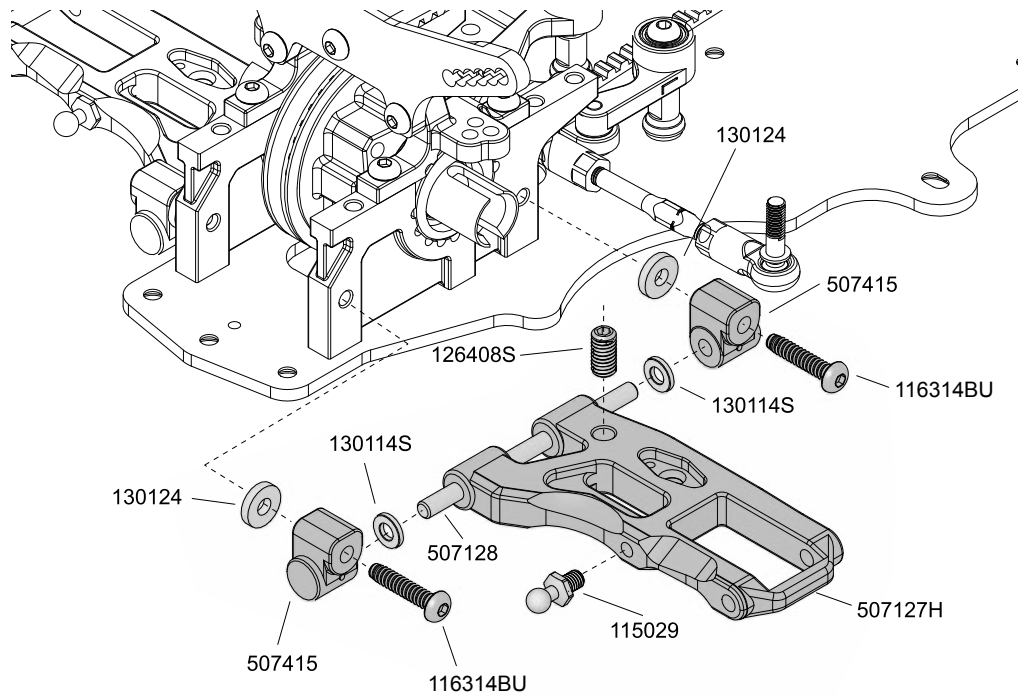


130124
3X7.5X1.5mm
Washer

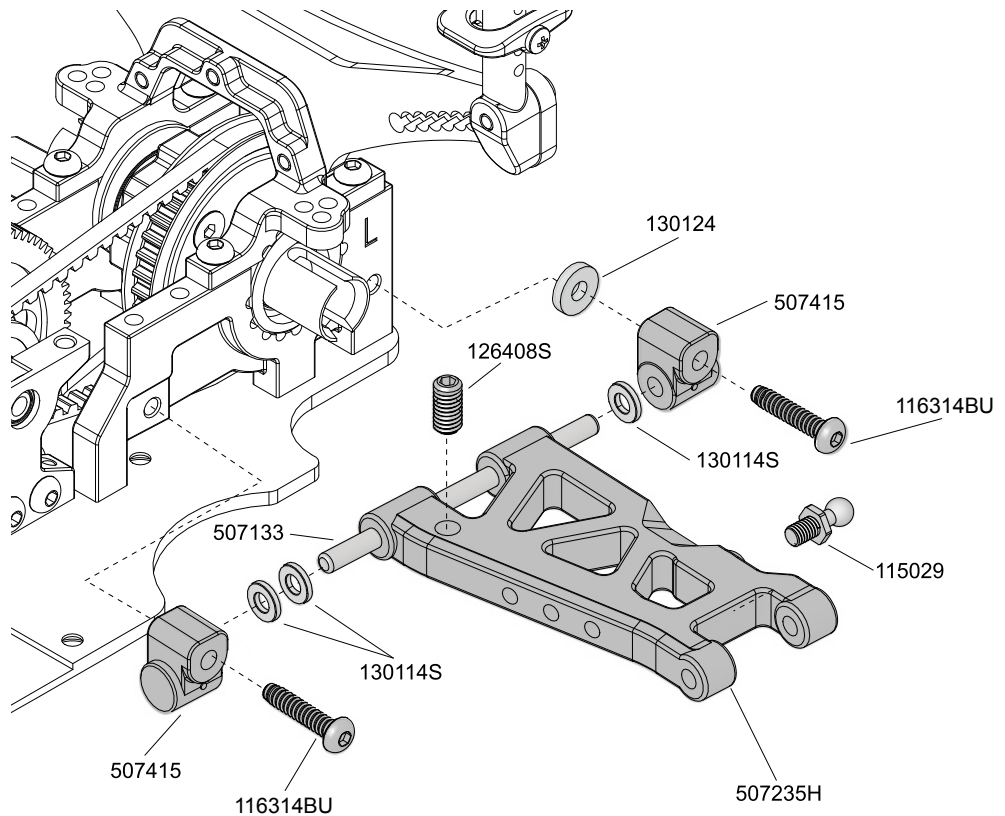





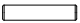



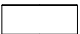

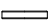





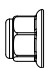


116314BU
3X14mm

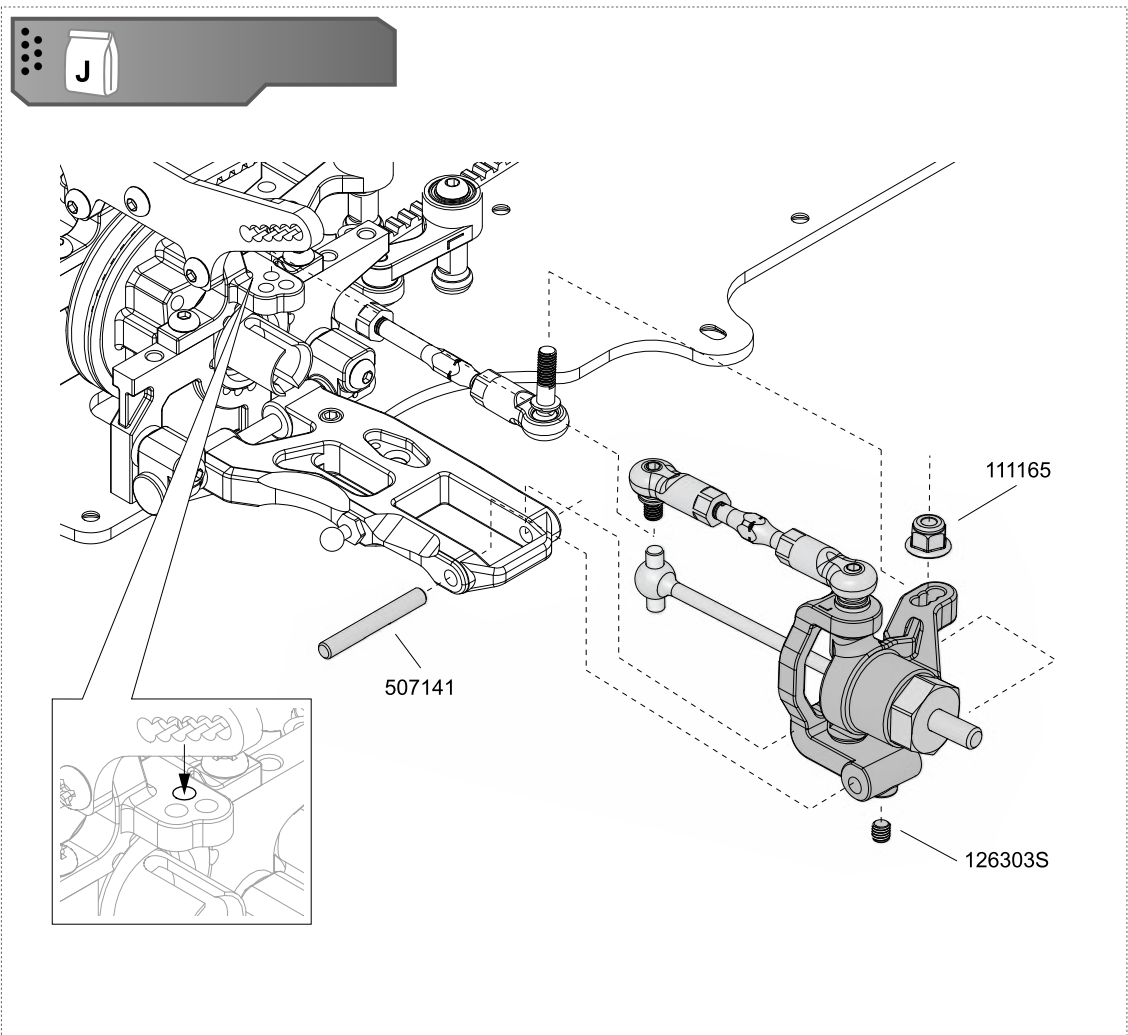
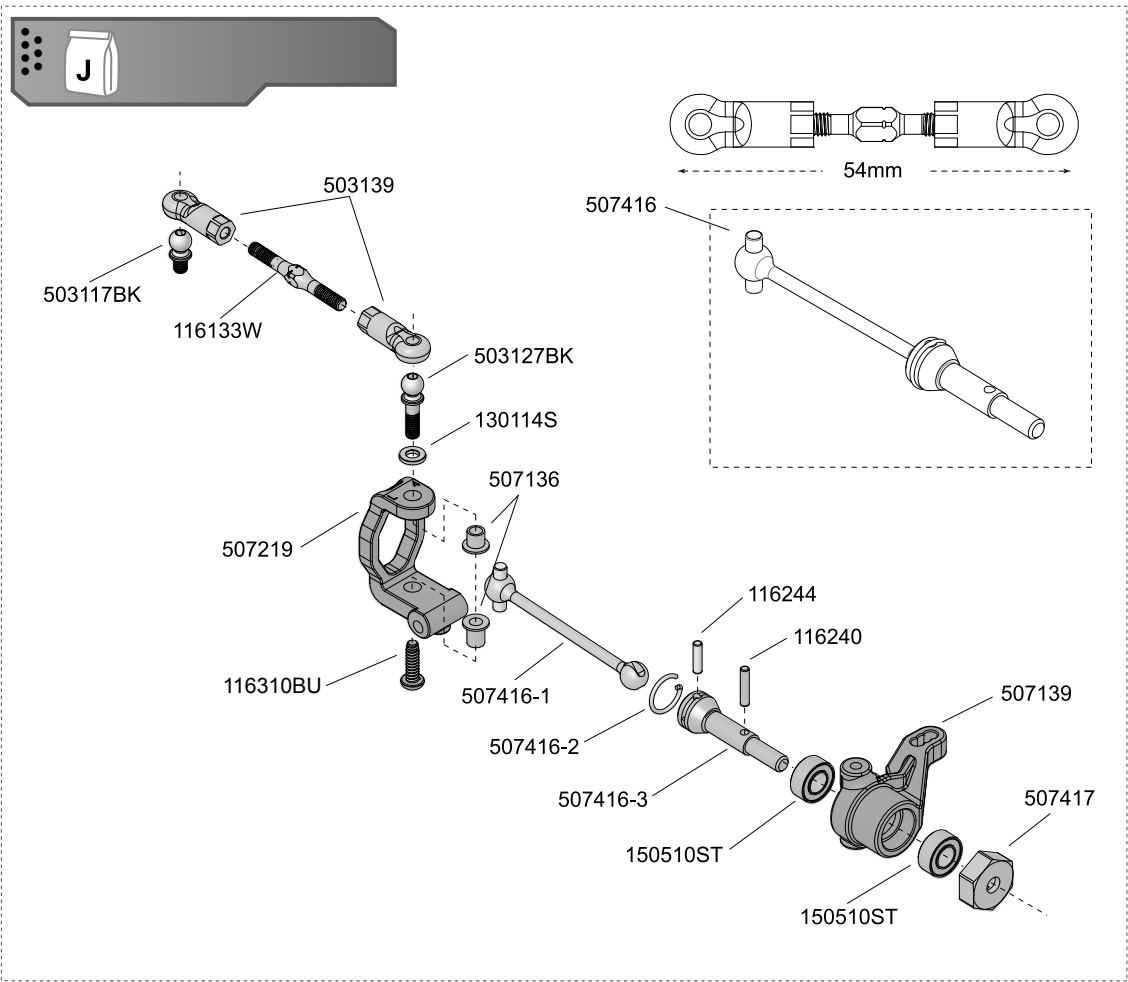
H Front






I Rear





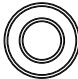

-  
116244
2X7.8mm
-  
116240
2X9.8mm Pin
-  
116310BU
3X10mm
-  
150510ST
5X10X4mm
-  
130114S
3X6X1mm
-  
503117BK
5X4mm
-  
503127BK
5X10mm
-  
111165
3mm Flanged Nut
-  
126303S
3X3mm Set Screw

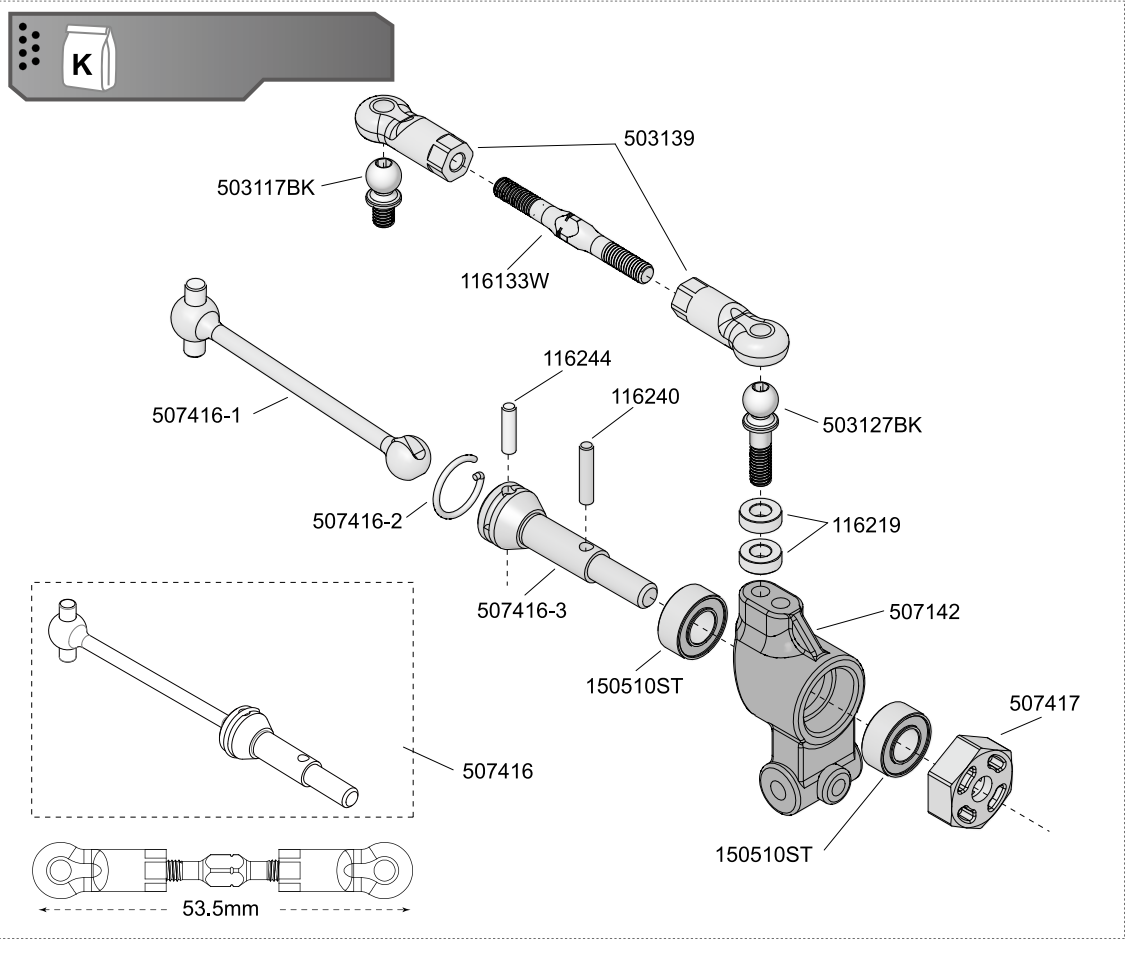



- 
- 116240
2x9.8mm Pin



- 
- 
- 126303S
3x3mm Set Screw



- 
- 
- 116219
3x6x2mm Alum.
Washer

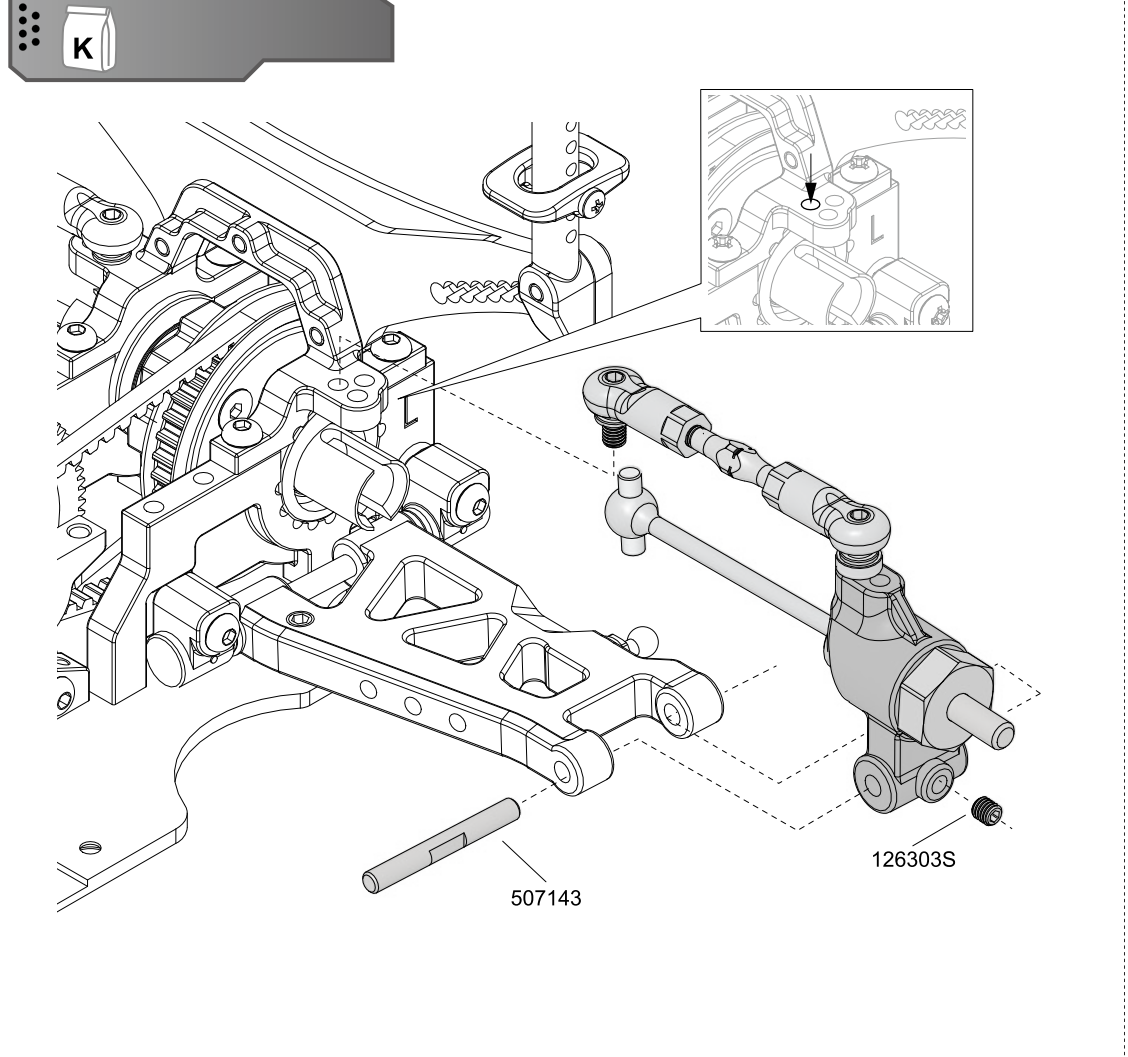
- 
- 
- 150510ST
5x10x4mm Steel
Bearing



- 
- 116244
2X7.8mm

- 
- 
- 503117BK
5X4mm

- 
- 
- 503127BK
5X10mm





126306BU
3X6mm



116308
3X8mm



130125
3X6X4mm
Alum. Washer



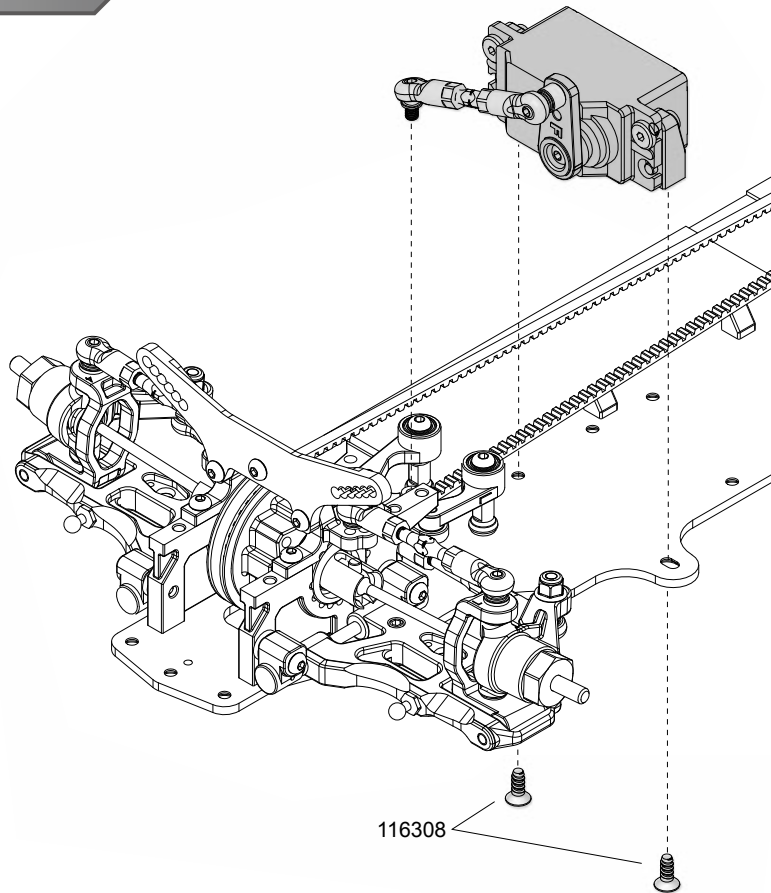
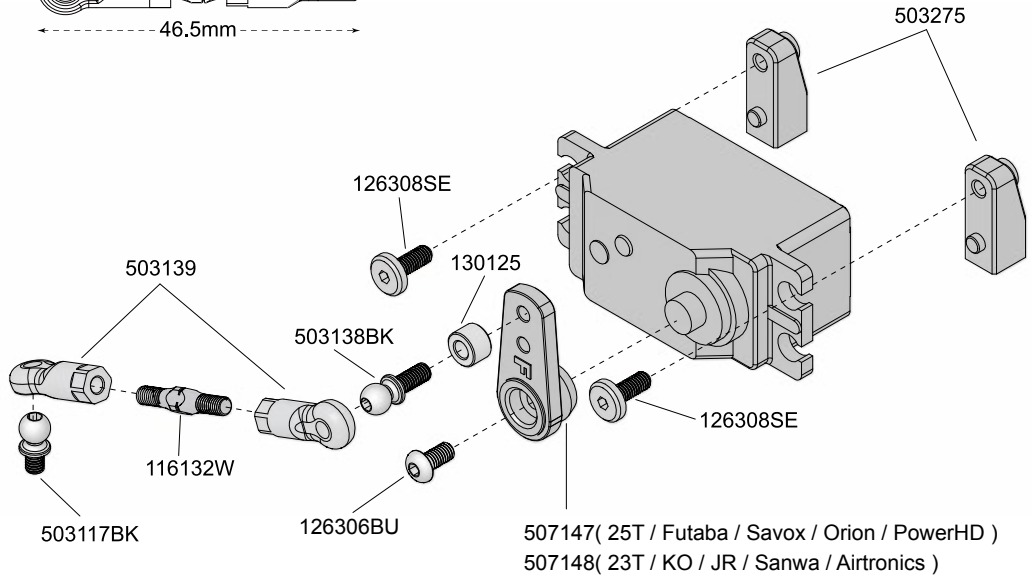
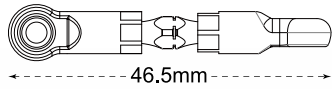
503117BK
5X4mm



503138BK
5X7mm



126308SE
3X8mm

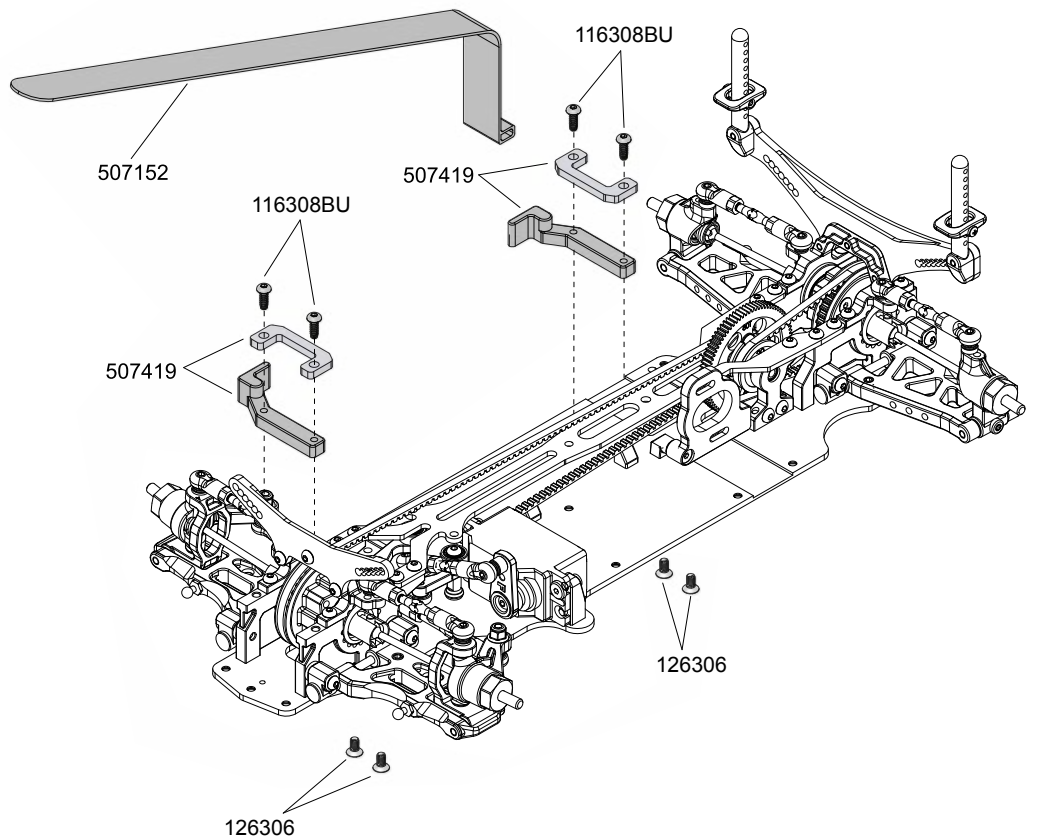
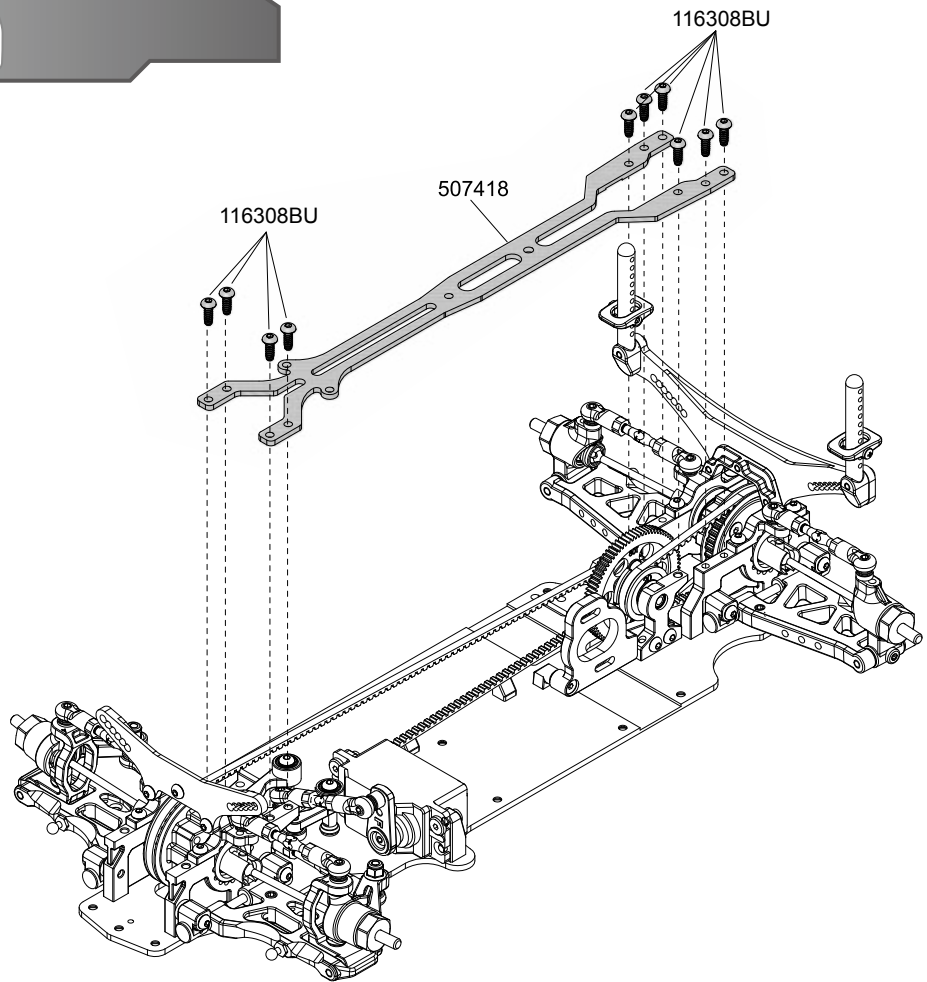




116308BU
3X8mm



126306
3X6mm





116227
E-clip 2.0



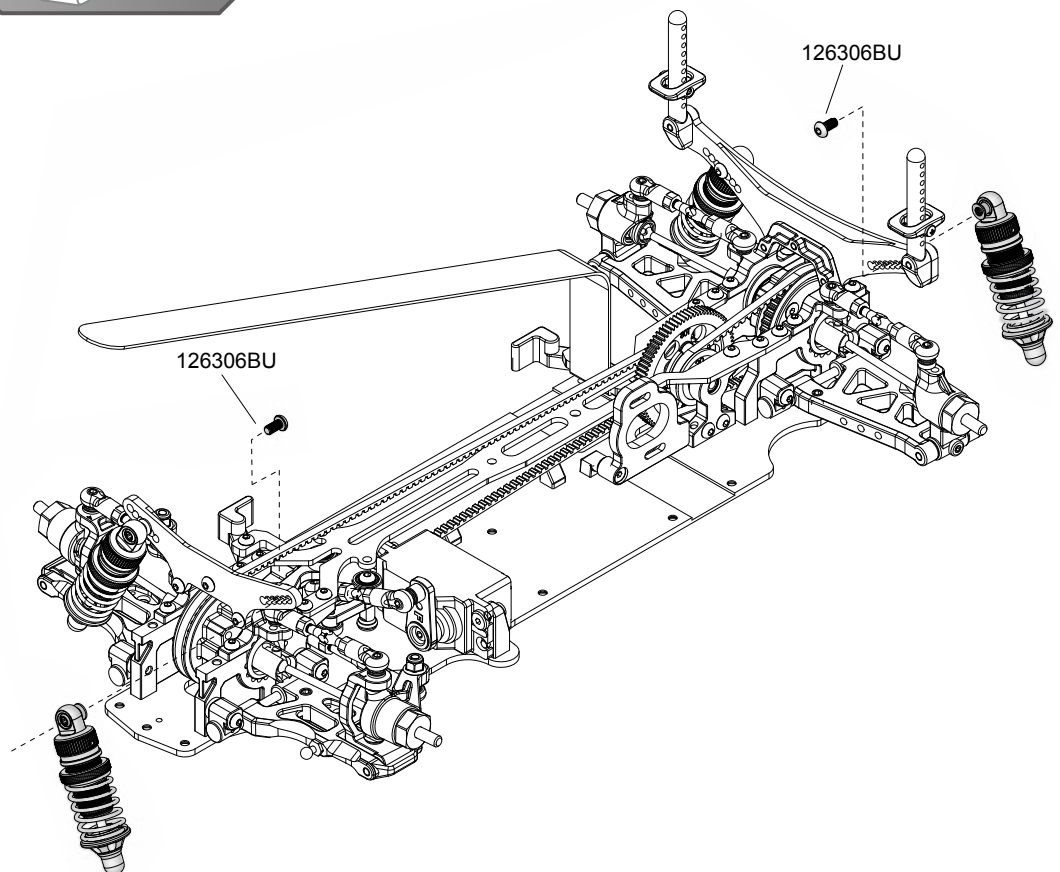
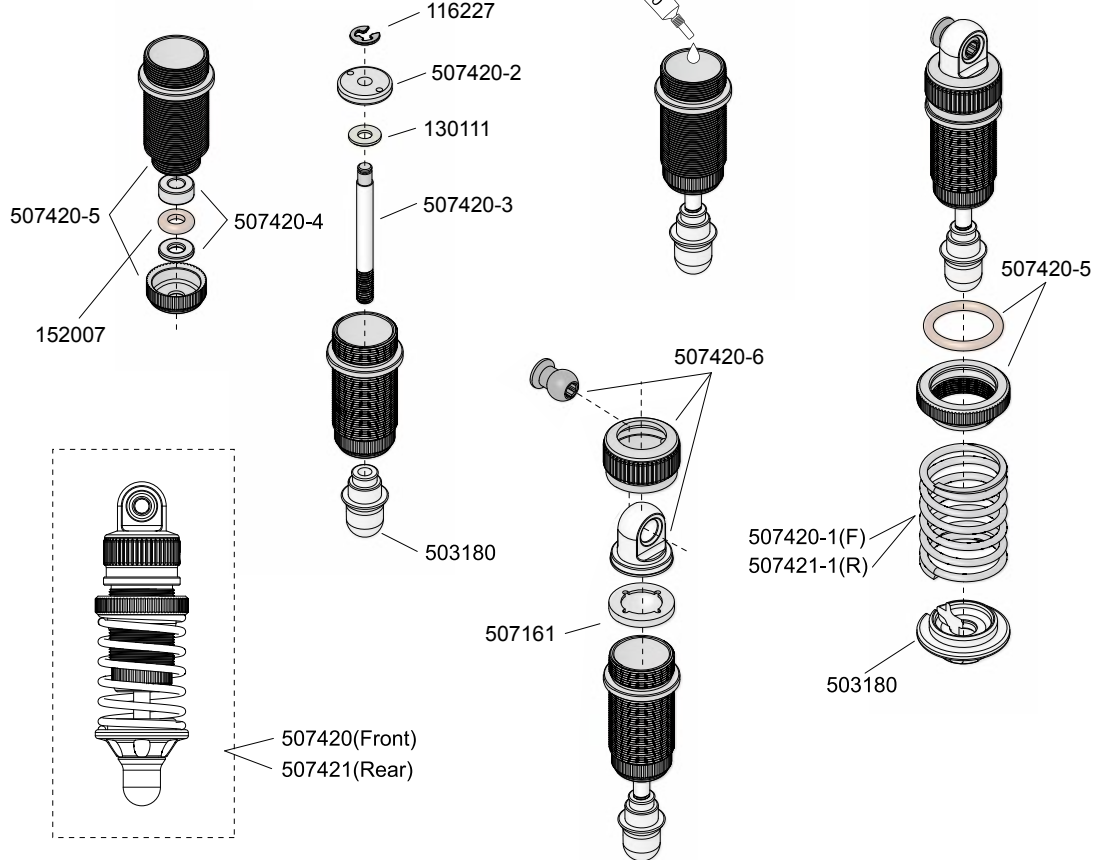
130111
2.6X6X0.5mm
WaSher



152007
P3 O-ring



126306BU
3X6mm





116308
3X8mm



116310BU
3X10mm



126212BU
2X12mm BH Screw



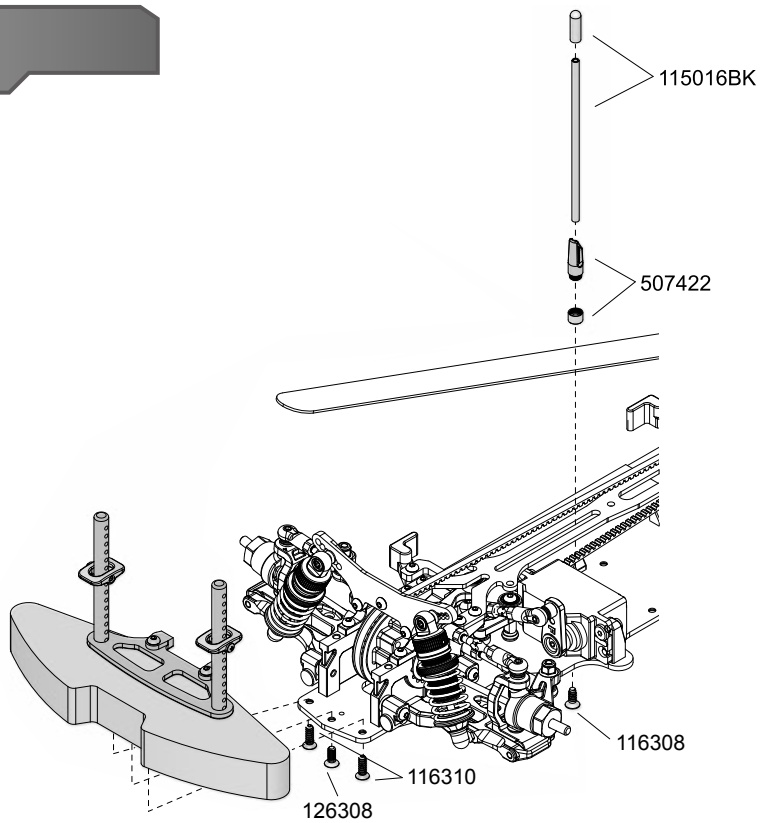
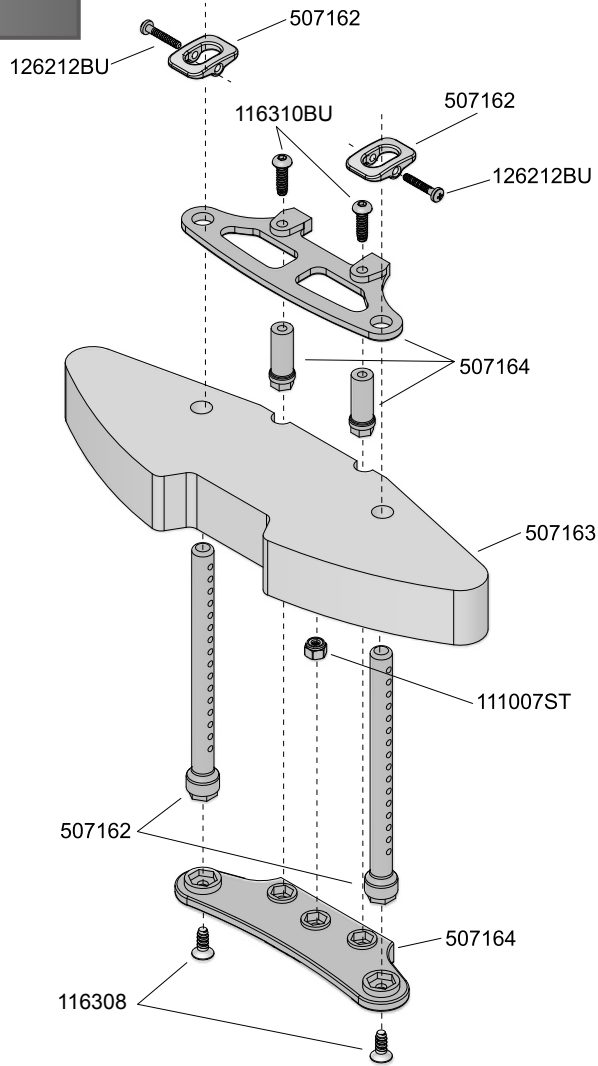
126308
3X8mm



116310
3X10mm



111007ST
3mm Steel Locknut

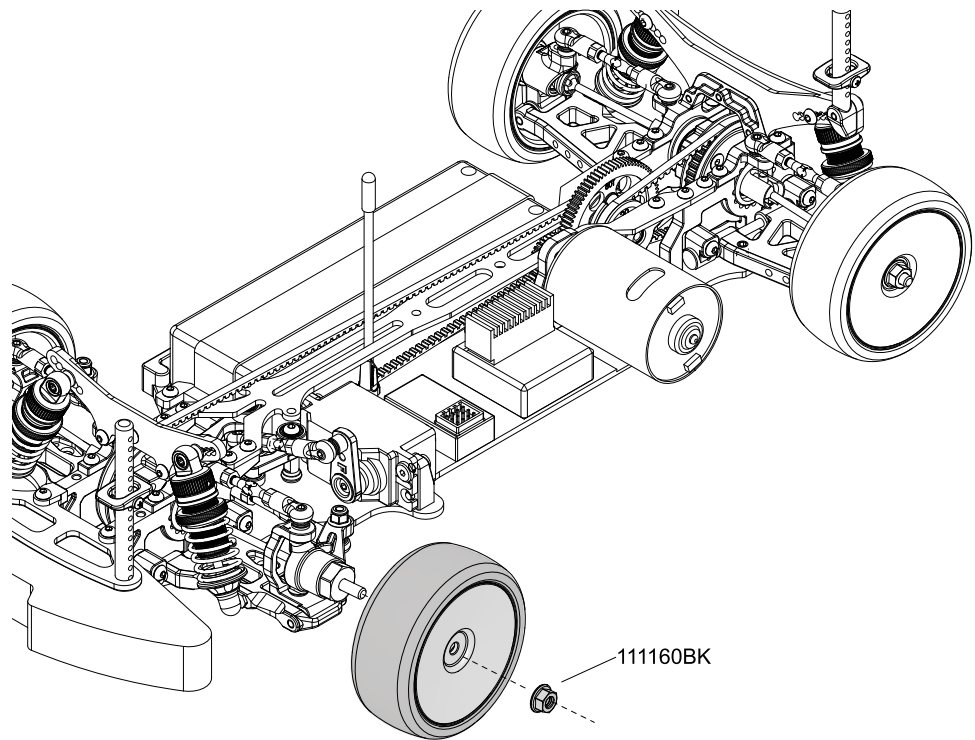
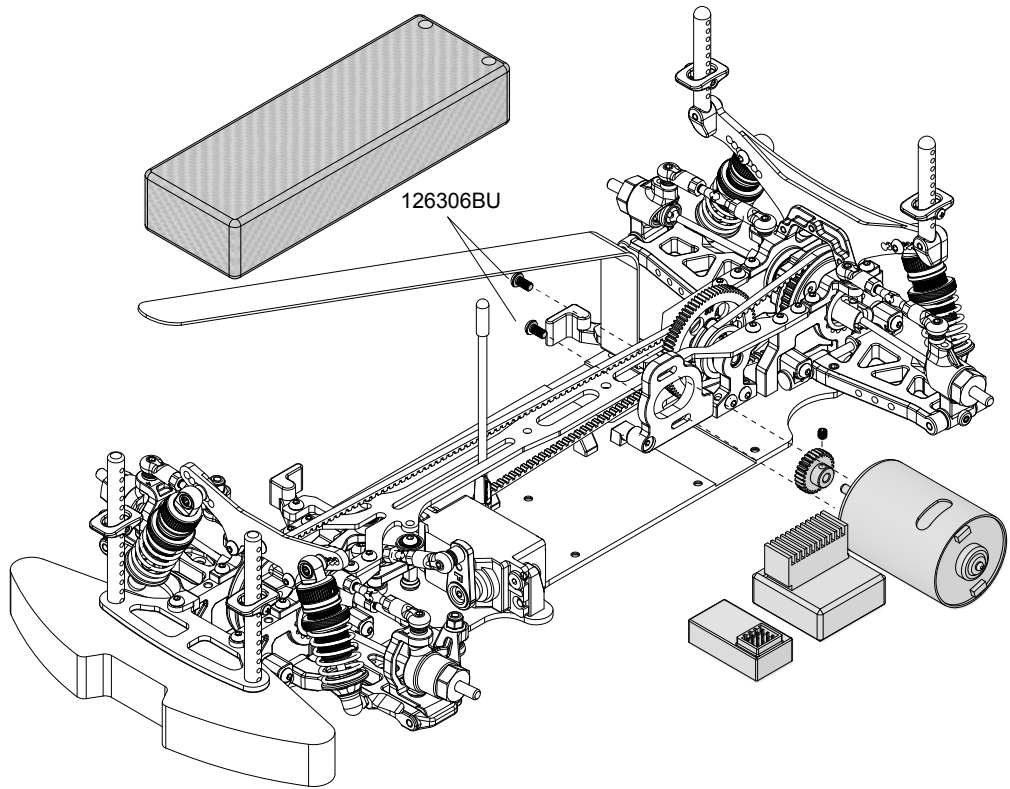




126306BU
3X6mm



111160BK
4mm Flanged
Lock Nut





THE POWER OF TEAM MAGIC

Team Magic Model Industrial co.Ltd.

No.185-2, 38th Road,Taichung industrial Park,Taichung Taichung,Taiwan 407

E-mail:service@teammagic.com.tw

Tel:886-4-23552606 Fax:886-4-23552946 MADE IN TAIWAN  61453

www.teammagic.com.tw

